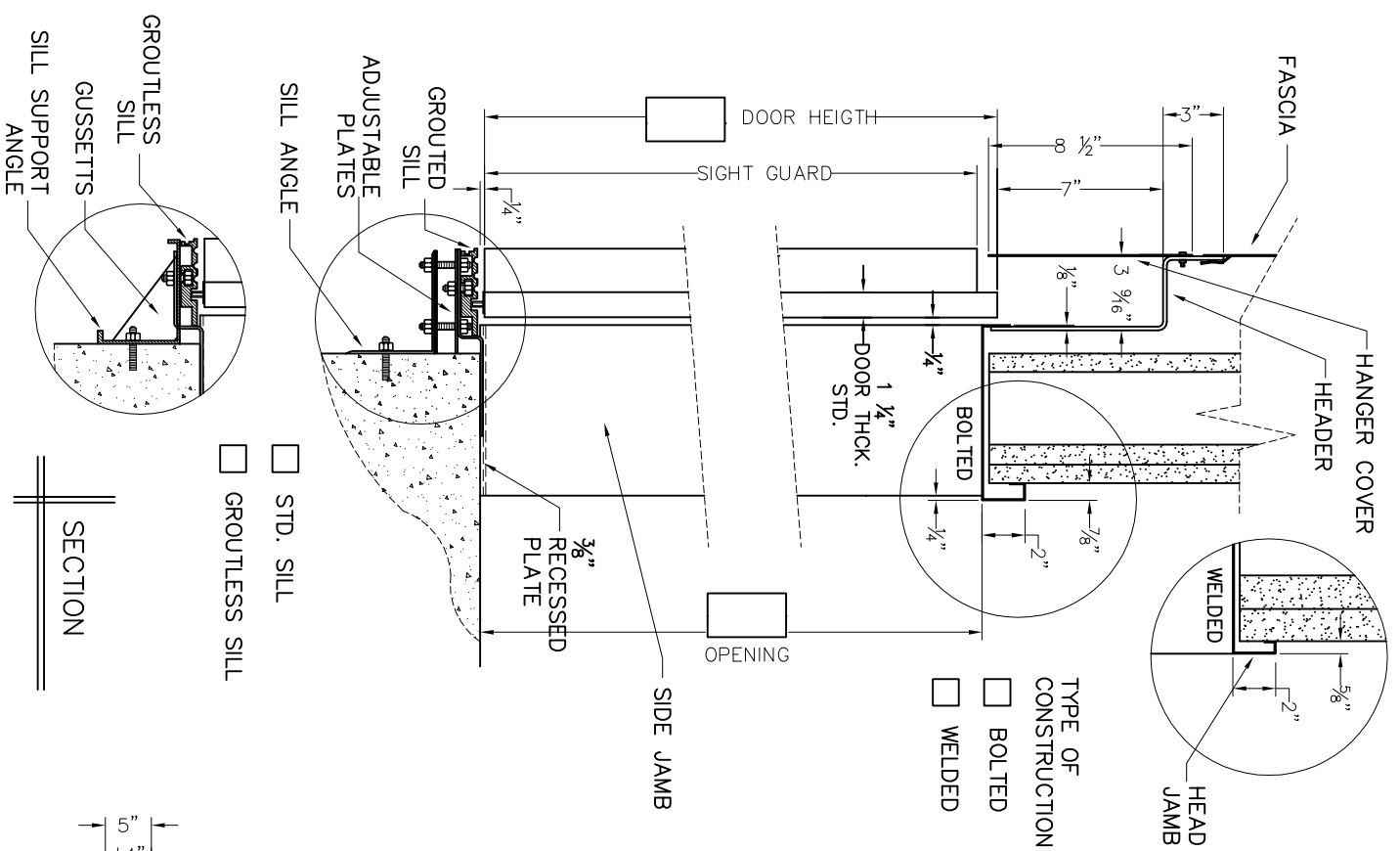
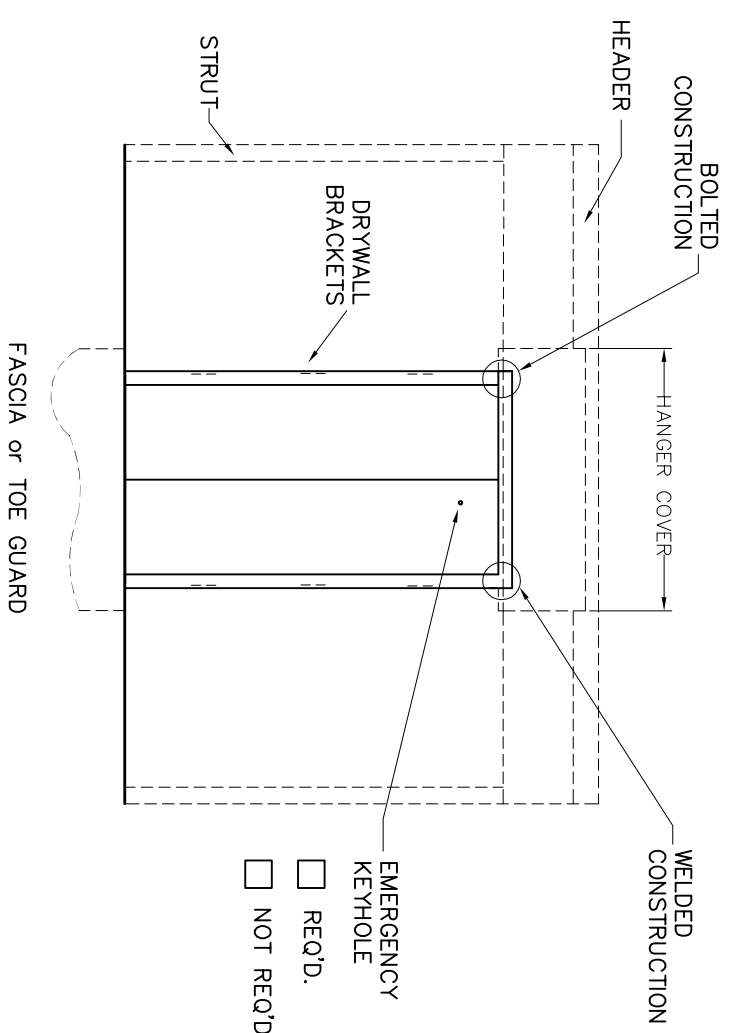


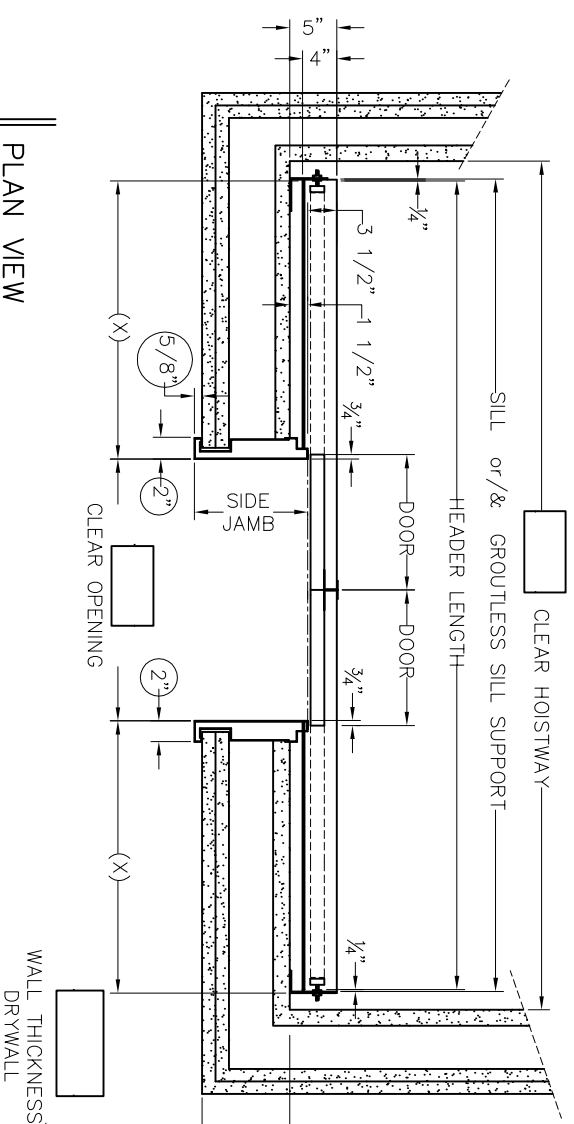
SURVEY SHEET. CENTER OPENING 1 SPD DRYWALL ENTRANCE



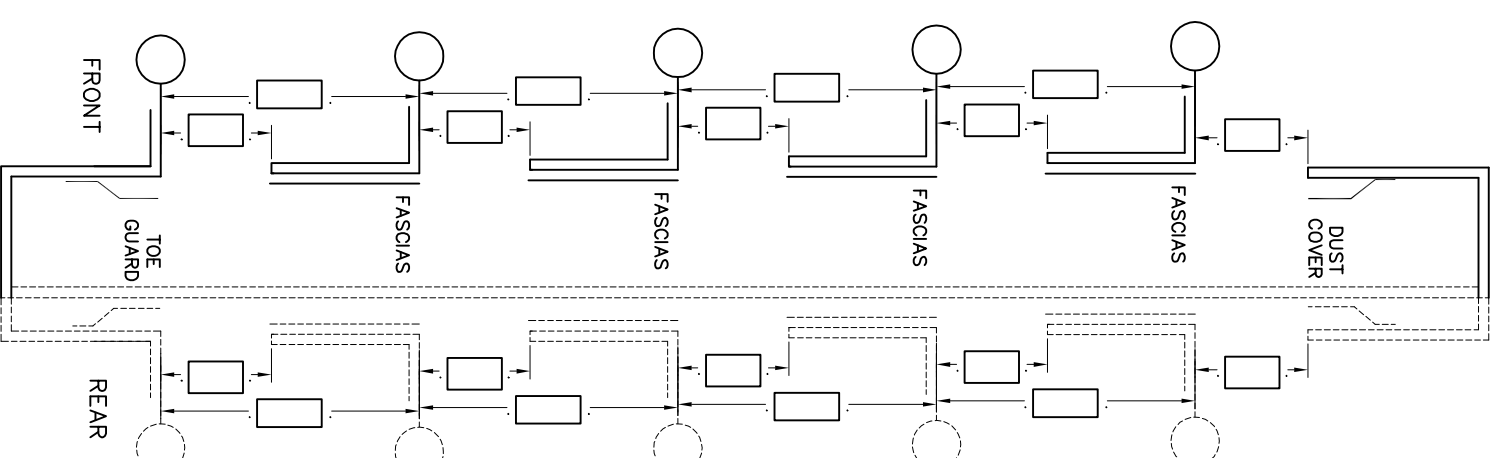
TYPE OF CONSTRUCTION
 BOLTED
 WELDED



EMERGENCY KEYHOLE
 REQ'D.
 NOT REQ'D.



PLAN VIEW



FRONT
 REAR
 SIDE
 1 SHAFT
 2 SHAFTS
 3 SHAFTS
 OTHER

NOTES:

SETS OF ENTRANCE. C.O 1 SPD AS SHOWN

DISCLAIMER: THESE DRAWINGS ARE INTELLECTUAL PROPERTY OF CONCEPT ELEVATOR GROUP AND MAY NOT BE REPRODUCED IN ANY WAY WITHOUT WRITTEN AUTHORIZATION. THESE DRAWINGS ARE FOR REFERENCE ONLY AND WILL NOT BE USED FOR CONSTRUCTION

REV	PRINTS	SEPIAS	TO	DATE	FOR

OPENING: _____ x _____ TYPE: LH RH
 SETS QTY: _____

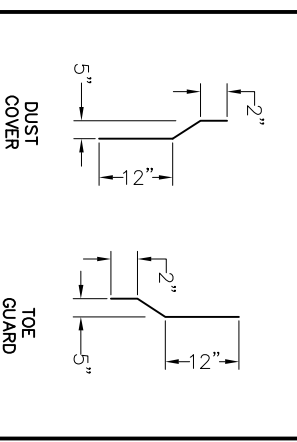
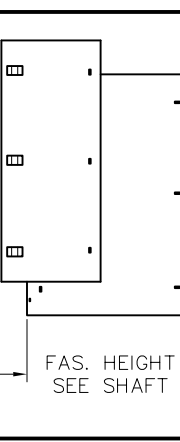
CENTER OPNG. DRY WALL ENTRANCE
 FRAMES:
 MATERIAL CONSTRUCTION: BOLTED WELDED
 "UL" LABEL (1 PER FRAME)
 "UL" LABEL (1 PER JAMB / ONLY CA.)

FINISH: _____
 HANGER COVER: _____
 HEADER LENGTH: _____
 DOOR PANELS: _____ THICK x _____ WIDE x _____ HEIGHT
 FINISH: _____
 "UL" LABEL (1 PER PANEL DOOR)
 WITHOUT "UL" LABEL

SIGHT GUARD: _____
 FINISH: _____
 SILL: STD. MATERIAL: _____
 GROUTLESS

SAFETY GIBB (1 PER PANEL DOOR)
 GIBBS (2 PER PANEL DOOR)
 DRILLING DATA: _____

FLOOR NO. _____
 FIN.F.-FIN.F. _____
 STRUT _____
 STRUT EXT. _____
 WALL CONSTRUCTION: _____ THICK _____
 DOOR WEIGHT: _____



3100A N.W. 99th STREET, DORAL, FL 33178
 (708) 546-5800 • TOLL FREE 800-469-5800 • FAX (708)946-8631
 CUSTOMER: _____
 JOB NAME: _____
 LOCATION: _____
 SCALE: NONE
 JOB NO. _____ P. ORDER NO. _____ SHEET NO. _____