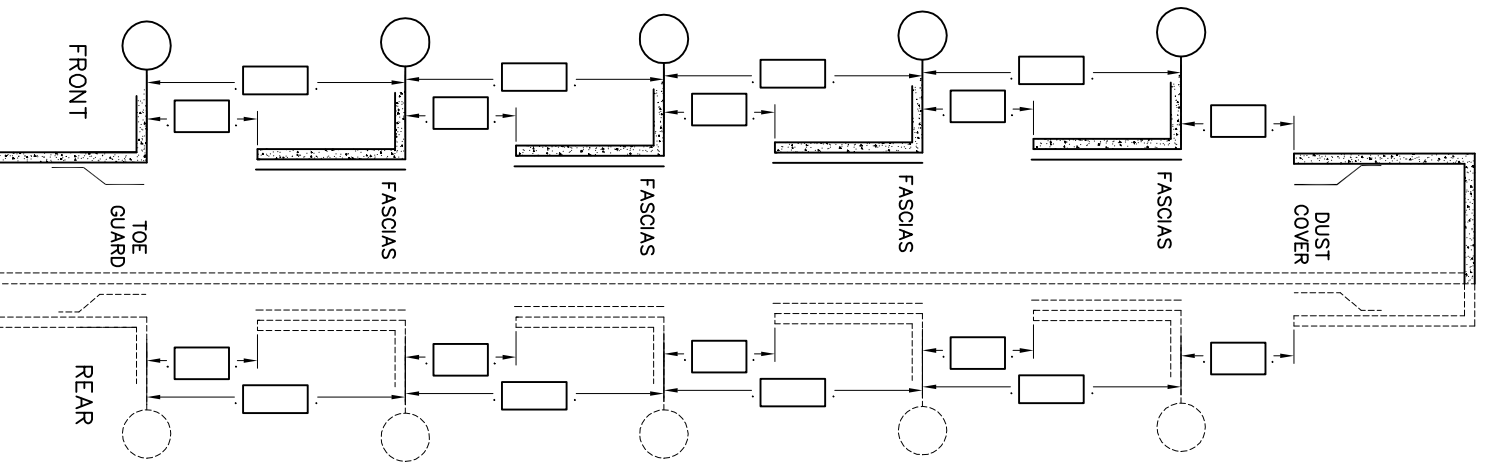
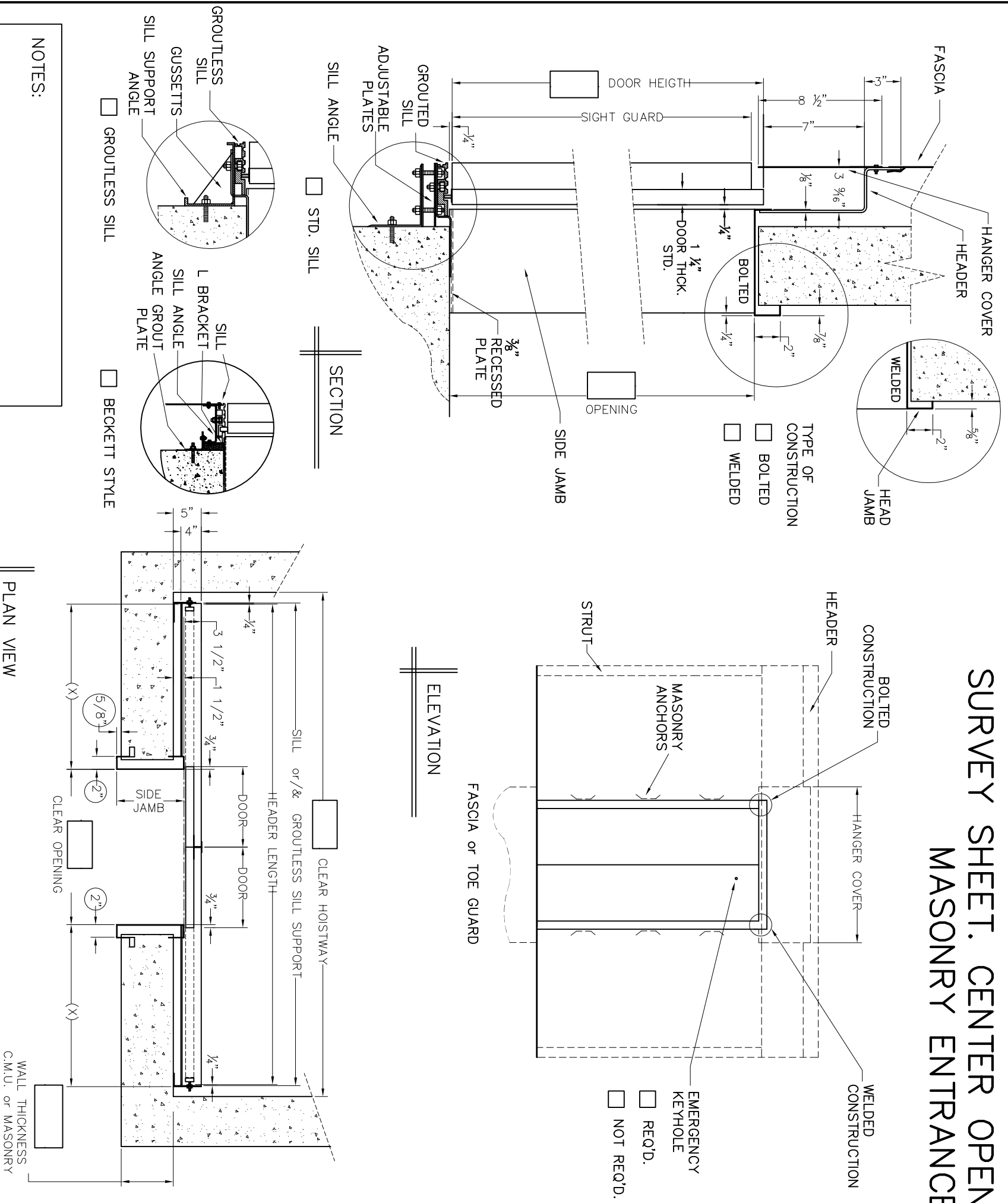


SURVEY SHEET. CENTER OPENING 1 SPD MASONRY ENTRANCE



REV	PRINTS	SEPIAS	TO	DATE	FOR

OPENING: _____ x _____ SETS QTY: _____ CENTER OPENING 1 SPD. MASONRY ENTRANCE	FINISH: _____ HANGER COVER: _____ HEADER LENGTH: _____ THICK x _____ WIDE x _____ HEIGHT DOOR PANELS: _____ THICK x _____ WIDE x _____ HEIGHT FINISH: _____ <input type="checkbox"/> "UL" LABEL (1 PER PANEL DOOR) <input type="checkbox"/> WITHOUT "UL" LABEL SIGHT GUARD: _____ FINISH: _____ SILL: <input type="checkbox"/> STD. MATERIAL: _____ <input type="checkbox"/> GROUTLESS SAFETY GIBB (1 PER PANEL DOOR) GIBBS (2 PER PANEL DOOR) DRILLING DATA: _____
FLOOR NO. _____ FIN.F.-FIN.F. _____ STRUT _____ STRUT EXT. _____ WALL CONSTRUCTION: _____ THICK _____ DOOR WEIGHT: _____ BRaille PLATE: <input type="checkbox"/> RECD <input type="checkbox"/> NOT RECD FASCIA DETAIL: _____	MATERIAL CONSTRUCTION: <input type="checkbox"/> BOLTED <input type="checkbox"/> WELDED (2) SIDE JAMB (2) HEAD JAMB EMERGENCY KEYHOLE <input type="checkbox"/> REQ'D. <input type="checkbox"/> NOT REQ'D.

DUST COVER: _____ TOE GUARD: _____ FAS. HEIGHT SEE SHAFT	(W) _____ 5" _____ 2" _____ 12" _____ 5" _____
--	--

NOTES:

SETS OF ENTRANCE. C.O 1 SPD AS SHOWN

DISCLAIMER: THESE DRAWINGS ARE INTELLECTUAL PROPERTY OF CONCEPT ELEVATOR GROUP AND MAY NOT BE REPRODUCED IN ANY WAY WITHOUT WRITTEN AUTHORIZATION. THESE DRAWINGS ARE FOR REFERENCE ONLY AND WILL NOT BE USED FOR CONSTRUCTION

Concept
ELEVATOR GROUP

3100A N.W. 99th STREET, DORAL, FL 33178
 (786) 546-5800 • TOLL FREE 800-469-5800 • FAX (786)946-8631

CUSTOMER: _____
 JOB NAME: _____
 LOCATION: _____
 SCALE: NONE
 JOB NO. _____ P. ORDER NO. _____ SHEET NO. _____