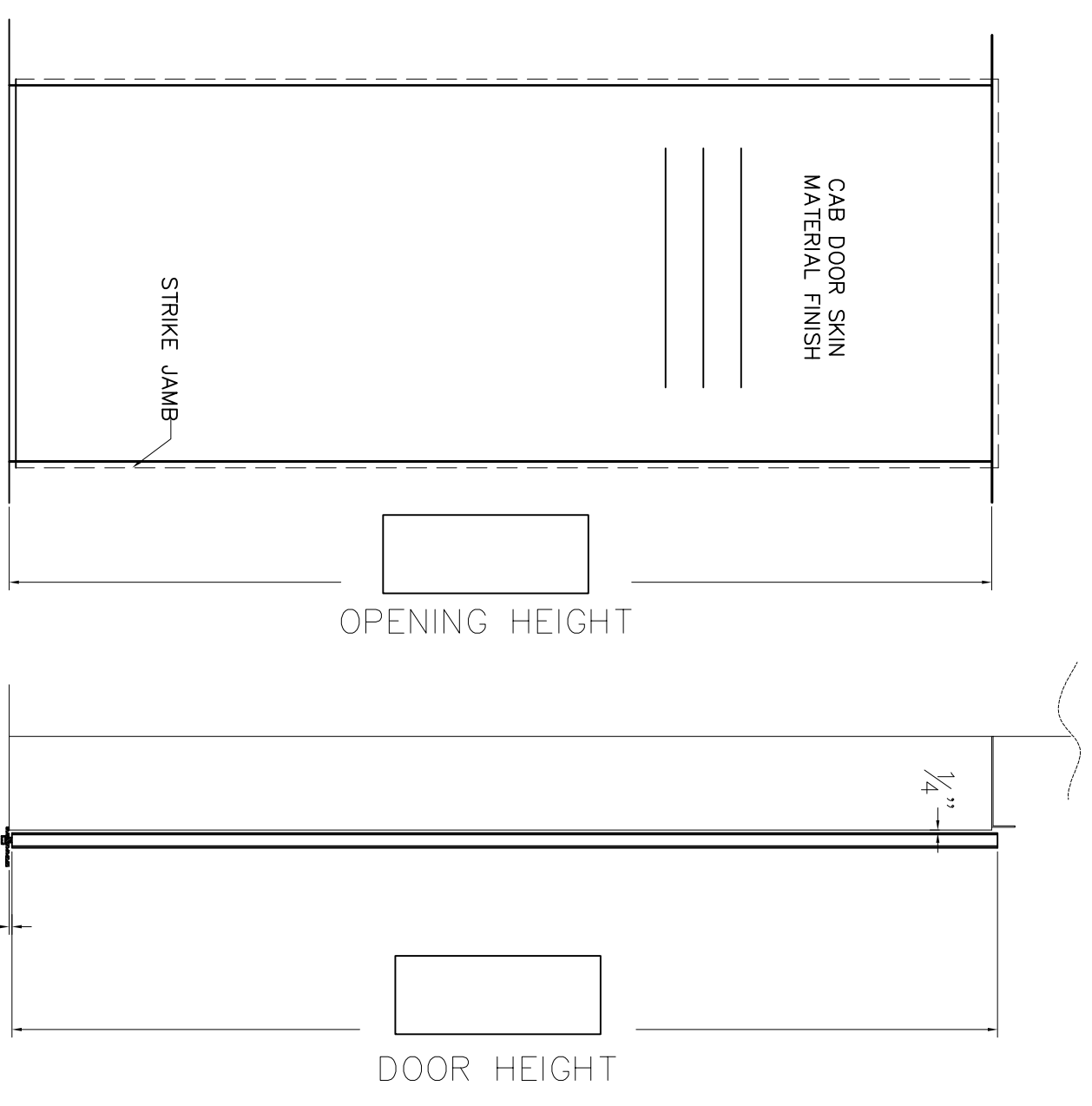
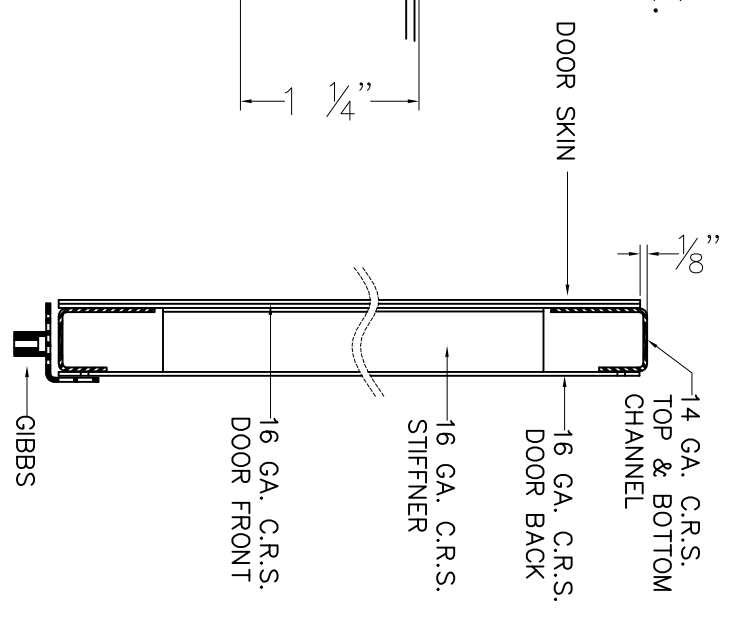
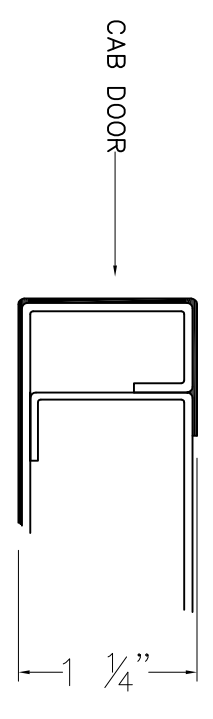


- LEFT HAND AS SHOWN.
- RIGHT HAND OPPOSITE.



SECTION THROUGH
DOOR

(INSIDE CAB)

SINGLE SLIDE CAB DOOR

DISCLAIMER: THESE DRAWINGS ARE INTELLECTUAL PROPERTY OF CONCEPT ELEVATOR GROUP AND MAY NOT BE REPRODUCED IN ANY WAY WITHOUT WRITTEN AUTHORIZATION. THESE DRAWINGS ARE FOR REFERENCE ONLY AND WILL NOT BE USED FOR CONSTRUCTION

REVISION AND PRINT RECORD			
REV	PRINTS	SEPIAS	TO DATE FOR

OPENING: _____ x _____

QTY: _____

CAR #: _____

DOOR PANELS: _____ x _____ x _____

FINISH: _____

DRILLING: _____

GIBBS REQUIRED: (2 PER DOOR).

ASME A 17.1 a - 2002 CODE COMPLIANT.

TOLERANCES UNLESS OTHERWISE SPECIFIED	
1" (1.00)	25.4 MM OR LESS ±1/32 (.031) .793 MM
OVER 1" (1.00)	25.4 MM LESS THAN 12" (12.00) 30.48 MM ±1/16" (.0625) 1.29 MM
OVER 12" (12.00)	30.48 MM LESS THAN 60" (60.00) 15.4 MM ±1/16" (.125) 3.18 MM
OVER 60" (60.00)	15.4 MM TO 120" (120.00) 3.68 MM ±1/4" (.250) 6.35 MM

CONCEPT ELEVATOR.
GROUP, LLC.

9104 N.W. 58th STREET, DOBAL, FL 33178
(786) 946-9855 • TOLL FREE 866-506-9855 • FAX (786)946-9831

CUSTOMER: _____

JOB NAME: _____

LOCATION: _____

ARCHITECT: _____ SCALE: NONE

DRAWN BY: _____

JOB NO. _____ P. ORDER NO. _____ SHEET NO. _____