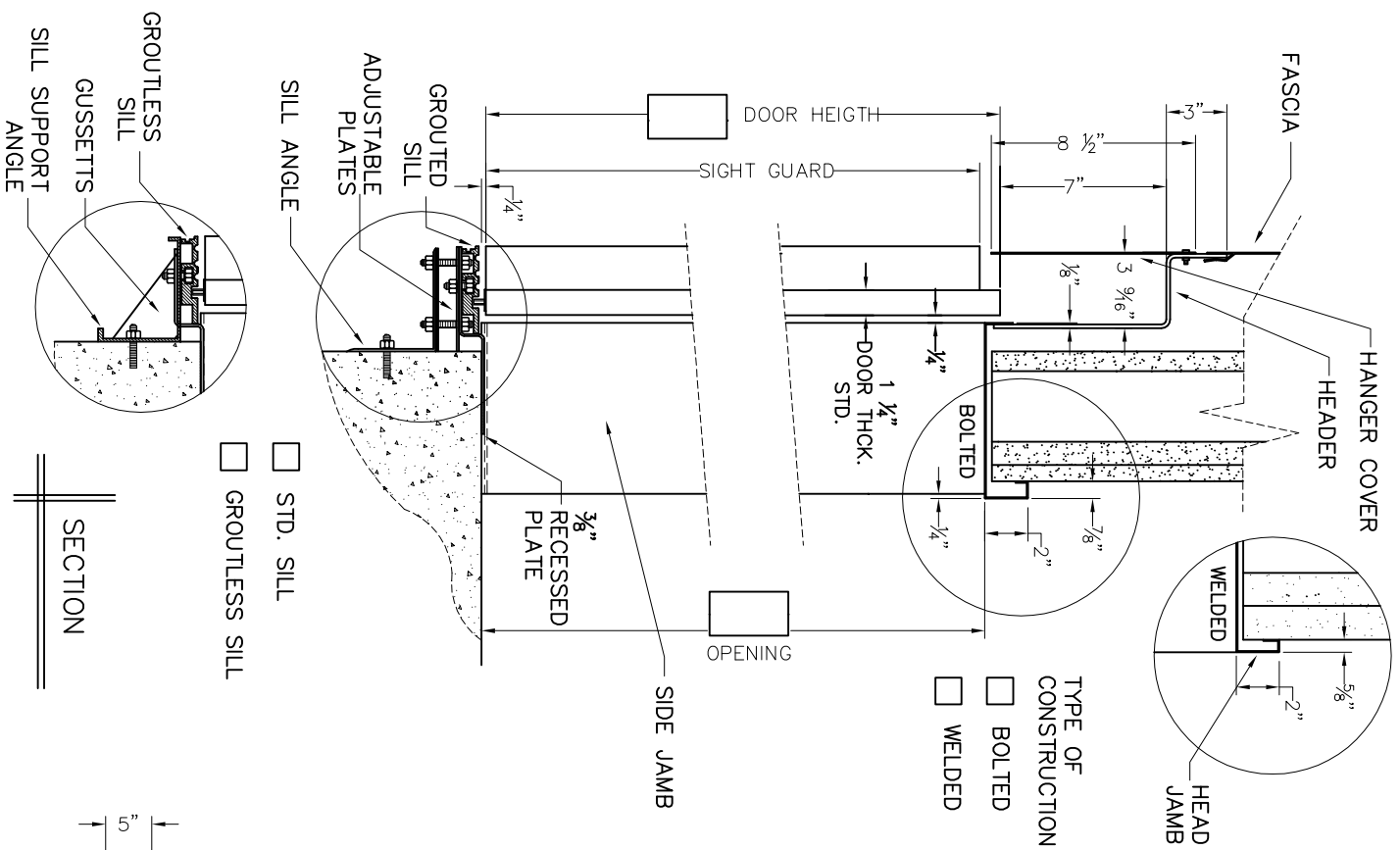
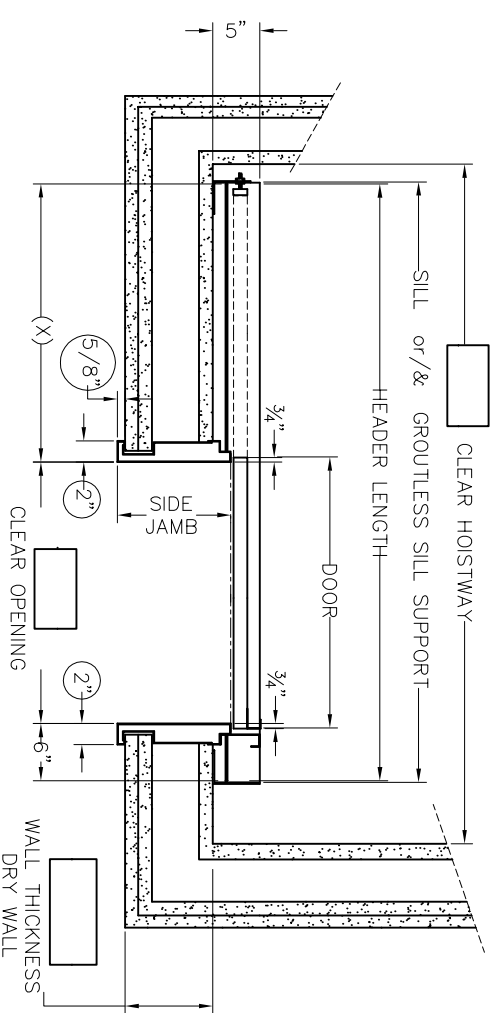


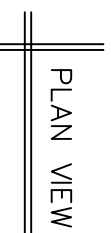
# SURVEY SHEET. SINGLE SLIDE DRY WALL ENTRANCE



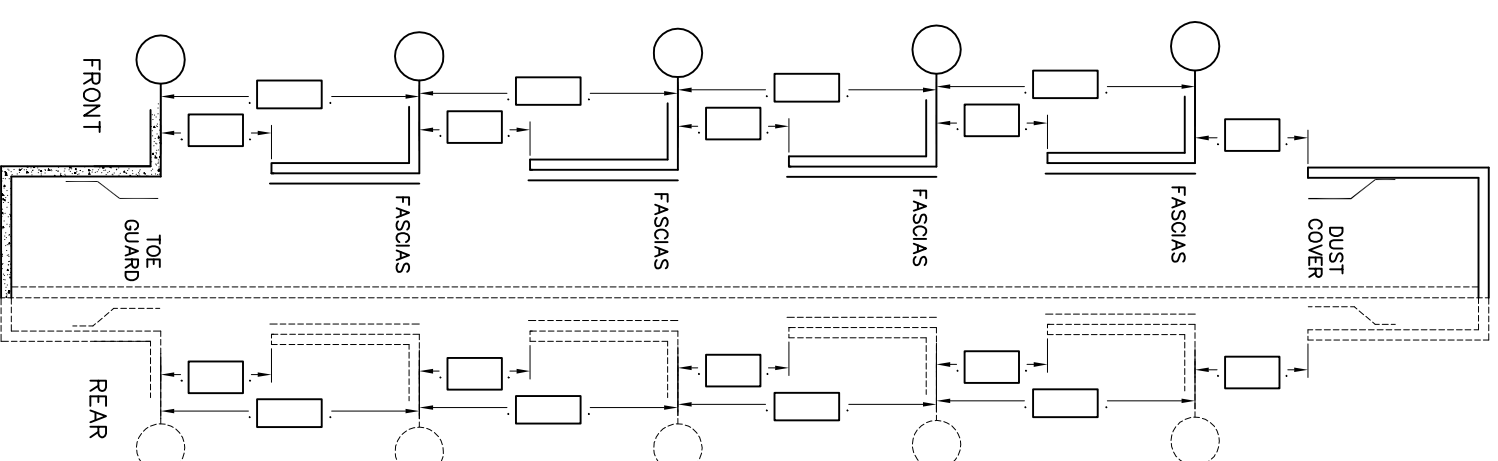
TYPE OF CONSTRUCTION  
 BOLTED  
 WELDED



EMERGENCY KEYHOLE  
 REQ'D.  
 NOT REQ'D.



PLAN VIEW



- FRONT
- REAR
- SIDE
- 1 SHAFT
- 2 SHAFTS
- 3 SHAFTS
- OTHER

SETS OF ENTRANCE. R.H 1 SPD AS SHOWN  
 SETS OF ENTRANCE. L.H 1 SPD OPPOSITE

NOTES:

- STD. SILL
- GROUTLESS SILL

SECTION

DISCLAIMER: THESE DRAWINGS ARE INTELLECTUAL PROPERTY OF CONCEPT ELEVATOR GROUP AND MAY NOT BE REPRODUCED IN ANY WAY WITHOUT WRITTEN AUTHORIZATION. THESE DRAWINGS ARE FOR REFERENCE ONLY AND WILL NOT BE USED FOR CONSTRUCTION

REV	PRINTS	SEPARS	TO	DATE	FOR

OPENING: \_\_\_\_\_ x \_\_\_\_\_ TYPE:  L.H  R.H  
 SETS QTY: \_\_\_\_\_

SINGLE SLIDE DRY WALL ENTRANCE

FRAMES: MATERIAL CONSTRUCTION:  BOLTED  WELDED

- "UL" LABEL (1 PER FRAME)
- "UL" LABEL (1 PER JAMB / ONLY CA.)

FINISH: \_\_\_\_\_

HANGER COVER: \_\_\_\_\_

HEADER LENGTH: \_\_\_\_\_

DOOR PANELS: \_\_\_\_\_ THICK x \_\_\_\_\_ WIDE x \_\_\_\_\_ HEIGHT

FINISH: \_\_\_\_\_

"UL" LABEL (1 PER PANEL DOOR)

WITHOUT "UL" LABEL

SIGHT GUARD: \_\_\_\_\_

FINISH: \_\_\_\_\_

SILL:  STD.  GROUTLESS MATERIAL: \_\_\_\_\_

SAFETY GIBB (1 PER PANEL DOOR)

GIBBS (2 PER PANEL DOOR)

DRILLING DATA: \_\_\_\_\_

FLOOR NO. \_\_\_\_\_

FIN.F.-FIN.F. \_\_\_\_\_

STRUT \_\_\_\_\_

STRUT EXT. \_\_\_\_\_

WALL CONSTRUCTION: \_\_\_\_\_ THICK \_\_\_\_\_

DOOR WEIGHT: \_\_\_\_\_

BRaille PLATE:  RECD  NOT RECD

FASCIA DETAIL: \_\_\_\_\_

\_\_\_\_\_ (W)

FAS. HEIGHT SEE SHAFT

\_\_\_\_\_

\_\_\_\_\_

\_\_\_\_\_

\_\_\_\_\_

\_\_\_\_\_

\_\_\_\_\_

\_\_\_\_\_

\_\_\_\_\_



3100A N.W. 90th STREET, DORAL, FL 33178  
 (708) 546-5800 • TOLL FREE 800-469-8800 • FAX (708)946-8831

CUSTOMER: \_\_\_\_\_

JOB NAME: \_\_\_\_\_

LOCATION: \_\_\_\_\_

SCALE: NONE

JOB NO. \_\_\_\_\_ P. ORDER NO. \_\_\_\_\_ SHEET NO. \_\_\_\_\_