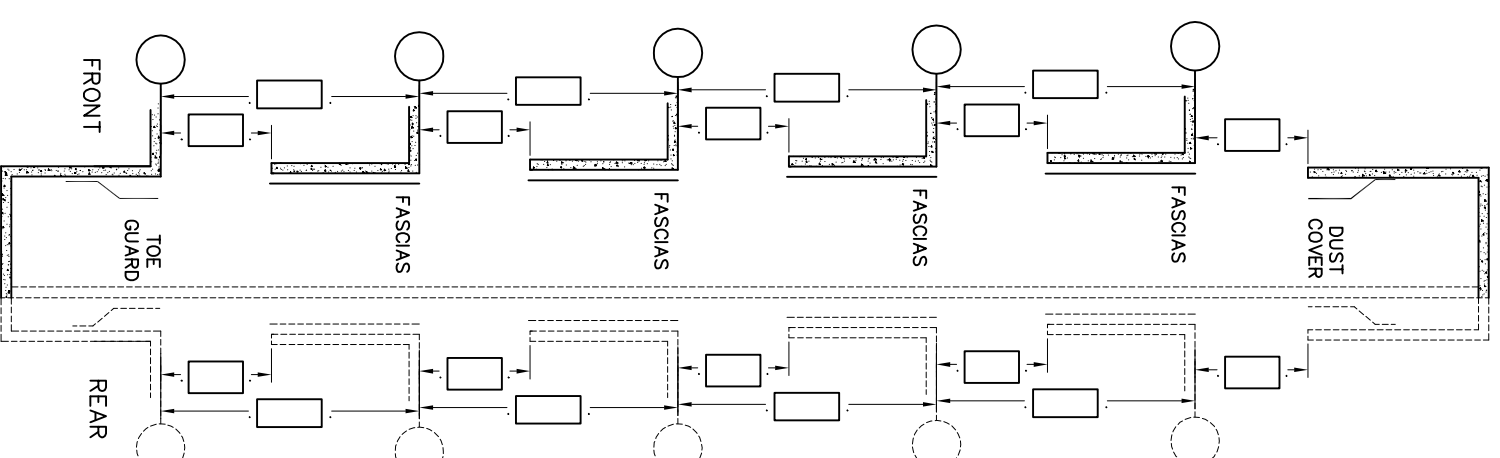
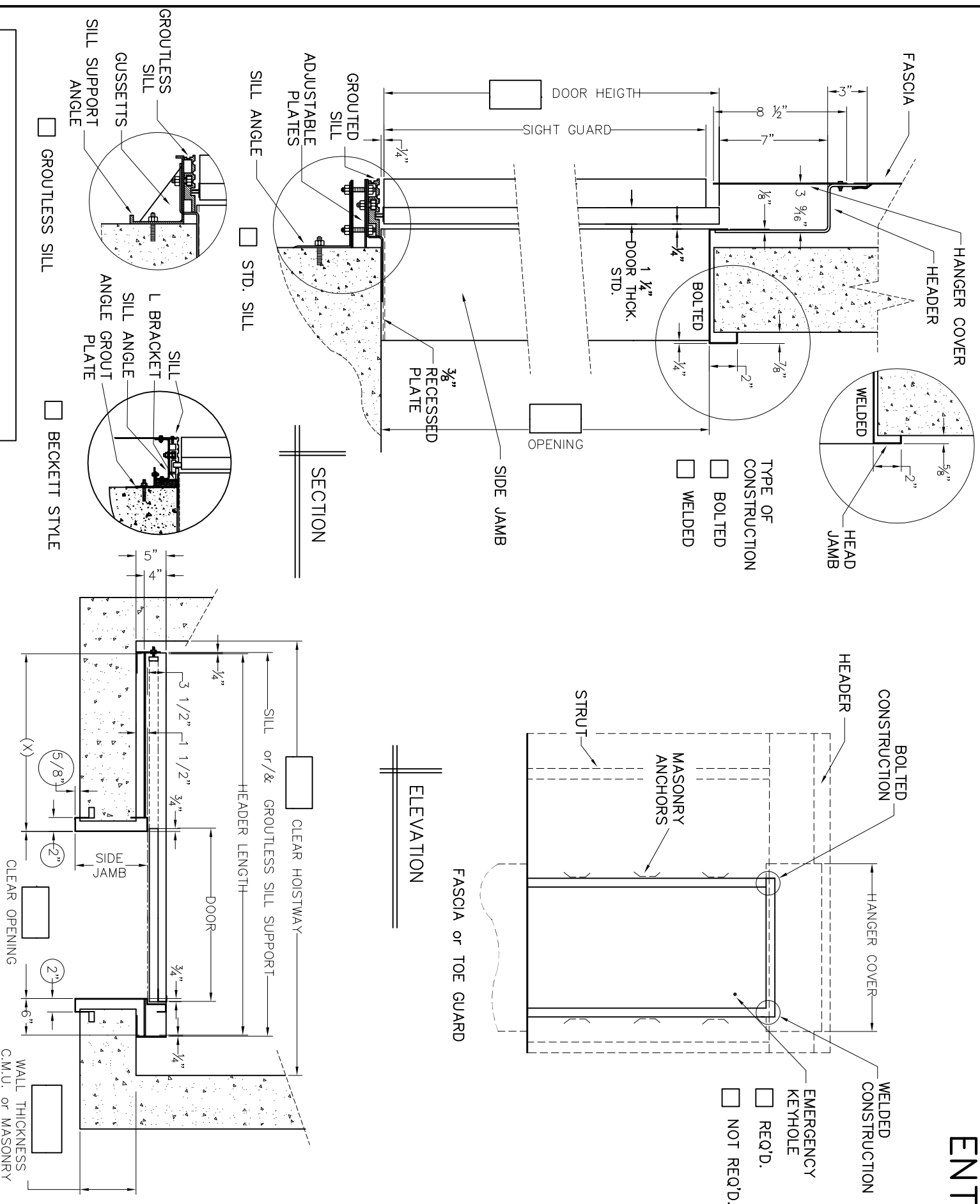


SURVEY SHEET. SINGLE SLIDE MASONRY ENTRANCE



REV	PRINTS	SEPARS	TO	DATE	FOR

REVISION AND PRINT RECORD

OPENING: _____ x _____ TYPE: L.H. R.H.

SETS QTY: _____

SINGLE SLIDE MASONRY ENTRANCE

FRAMES:
MATERIAL CONSTRUCTION: BOLTED WELDED

(2) SIDE JAMB (2) HEAD JAMB

FINISH: _____

HANGER COVER: _____

HEADER LENGTH: _____

DOOR PANELS: _____ THICK x _____ WIDE x _____ HEIGHT

FINISH: _____

"UL" LABEL (1 PER PANEL DOOR)

WITHOUT "UL" LABEL

SIGHT GUARD: _____

FINISH: _____

SILL: STD. GROUiless MATERIAL: _____

SAFETY GIBB (1 PER PANEL DOOR)

GIBBS (2 PER PANEL DOOR)

DRILLING DATA: _____

FLOOR NO.	FIN.F.-FIN.F.	STRUT	STRUT EXT.	WALL CONSTRUCTION:	THICK.

DOOR WEIGHT: _____

BRILLE PLATE: RECD NOT RECD

FASCIA DETAIL:

FAS. HEIGHT SEE SHAFT

DUST COVER

TOE GUARD



1100A N.W. 99th STREET, DORAL, FL 33178
(708) 946-8800 • TOLL FREE 800-466-8800 • FAX (708)946-8831

CUSTOMER: _____
JOB NAME: _____
LOCATION: _____
SCALE: NONE
JOB NO. _____ P. ORDER NO. _____ SHEET NO. _____

SETS OF ENTRANCE. R.H 1 SPD AS SHOWN
SETS OF ENTRANCE. L.H 1 SPD OPPOSITE

DISCLAIMER: THESE DRAWINGS ARE INTELLECTUAL PROPERTY OF CONCEPT ELEVATOR GROUP AND MAY NOT BE REPRODUCED IN ANY WAY WITHOUT WRITTEN AUTHORIZATION. THESE DRAWINGS ARE FOR REFERENCE ONLY AND WILL NOT BE USED FOR CONSTRUCTION

NOTES:
