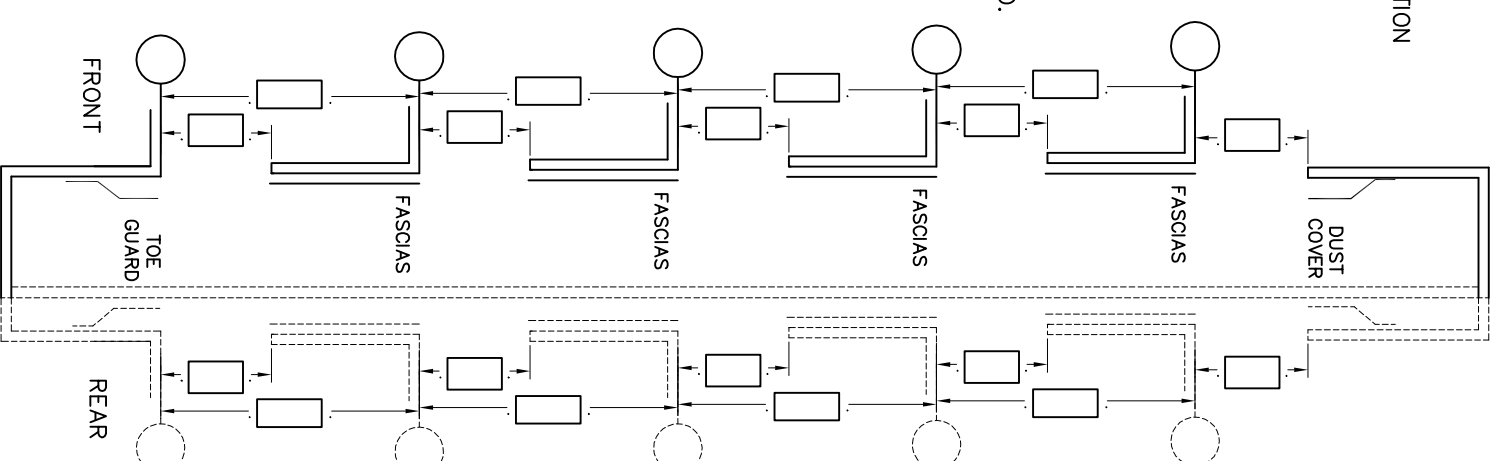
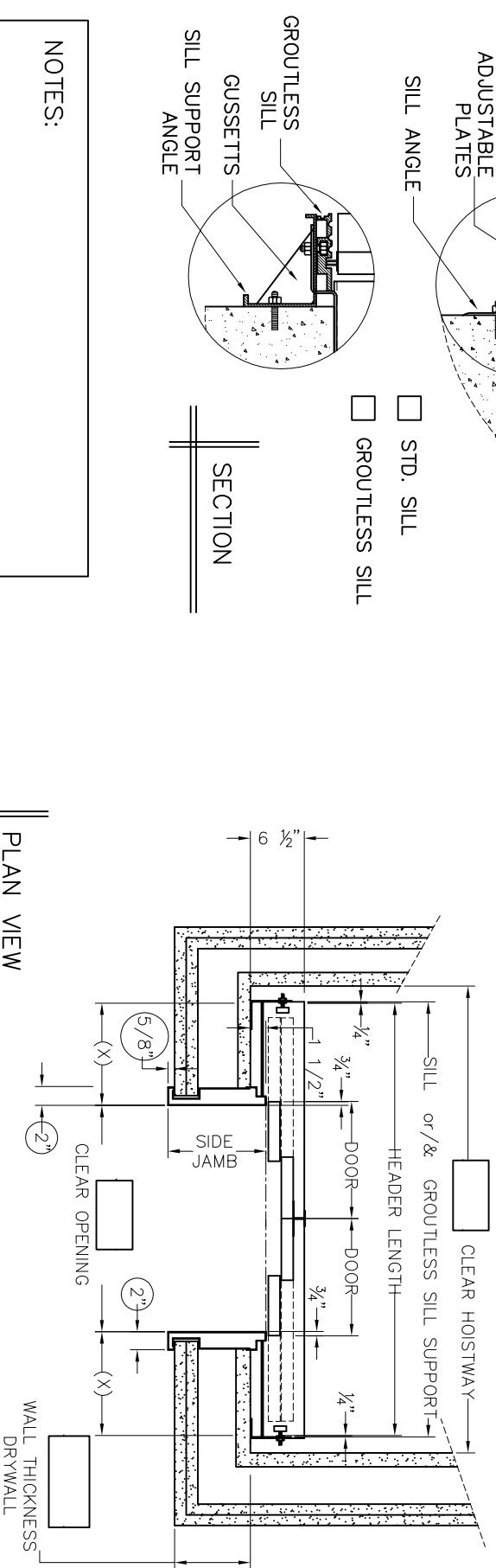
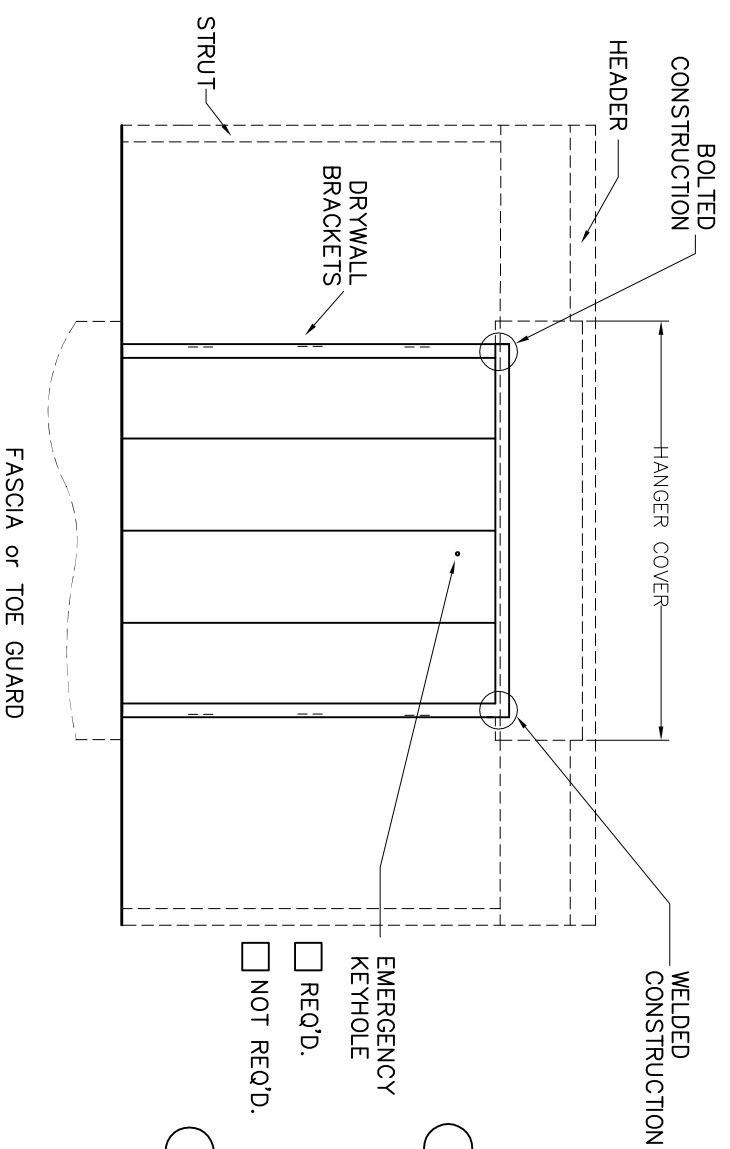
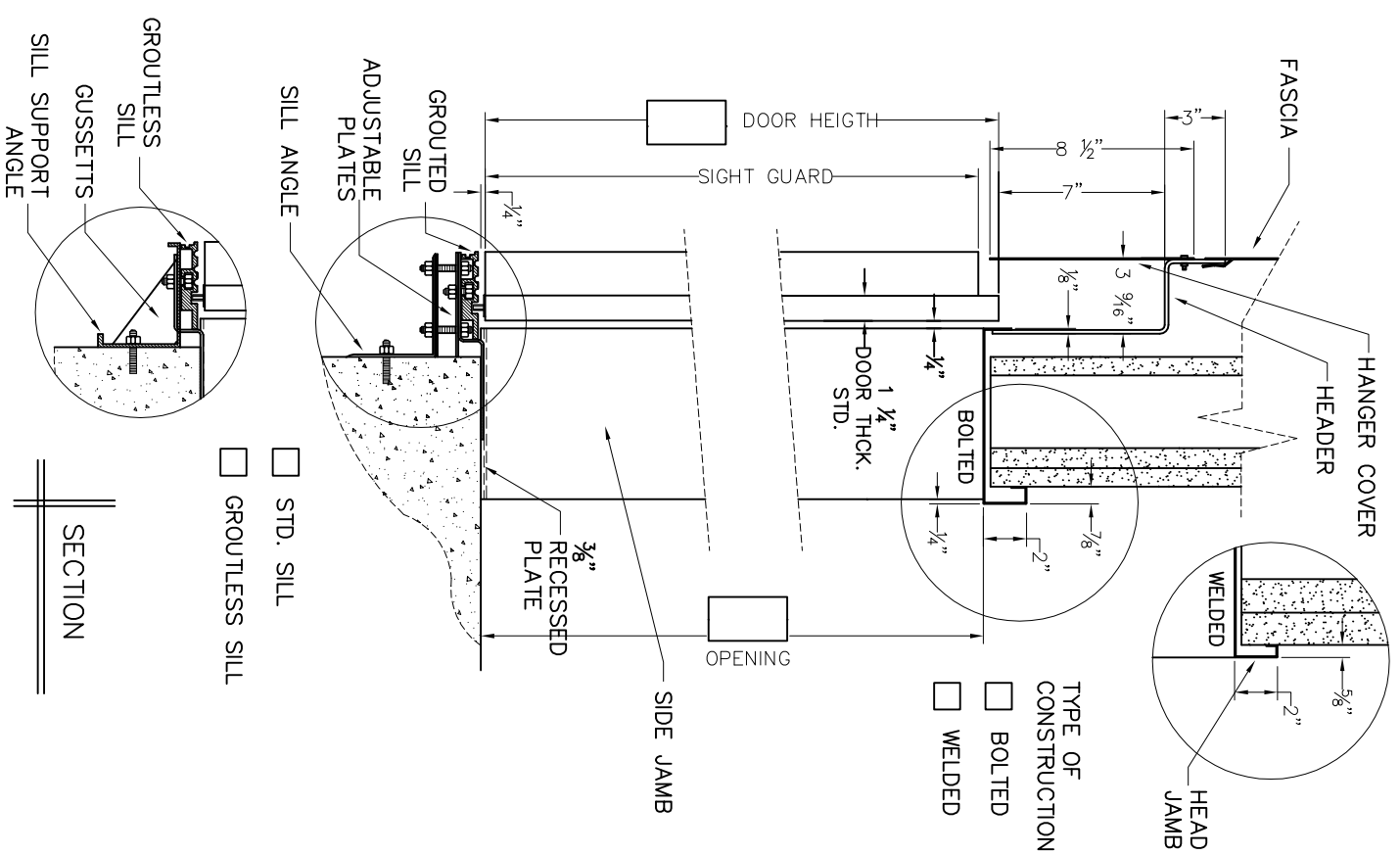


SURVEY SHEET. CENTER OPENING 2 SPD DRYWALL ENTRANCE



NOTES:

- STD. SILL
- GROUTLESS SILL

- TYPE OF CONSTRUCTION
- BOLTED
 - WELDED

- EMERGENCY KEYHOLE
- REQ'D.
 - NOT REQ'D.

PLAN VIEW

ELEVATION

SETS OF ENTRANCE. C.O 2 SPD AS SHOWN

- FRONT
- REAR
- SIDE
- 1 SHAFT
- 2 SHAFTS
- 3 SHAFTS
- OTHER

DISCLAIMER: THESE DRAWINGS ARE INTELLECTUAL PROPERTY OF CONCEPT ELEVATOR GROUP AND MAY NOT BE REPRODUCED IN ANY WAY WITHOUT WRITTEN AUTHORIZATION. THESE DRAWINGS ARE FOR REFERENCE ONLY AND WILL NOT BE USED FOR CONSTRUCTION

REVISION AND PRINT RECORD			
REV	PRINTS	SEPIAS	TO DATE FOR

OPENING: _____ x _____ TYPE: LH RH
 SETS QTY: _____

C.O 2 SPD. DRY WALL ENTRANCE

FRAMES:
 MATERIAL CONSTRUCTION: BOLTED WELDED
 "UL" LABEL (1 PER FRAME)
 "UL" LABEL (1 PER JAMB / ONLY CA.)

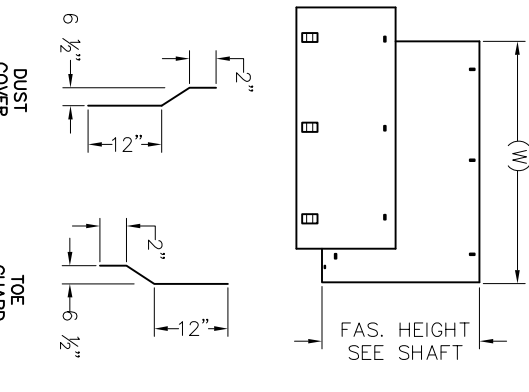
FINISH:
 HANGER COVER: _____
 HEADER LENGTH: _____ THICK x _____ WIDE x _____ HEIGHT
 DOOR PANELS: _____ THICK x _____ WIDE x _____ HEIGHT
 FINISH: _____
 "UL" LABEL (1 PER PANEL DOOR)
 WITHOUT "UL" LABEL

SIGHT GUARD:
 FINISH: _____
 SILL: STD. MATERIAL: _____
 GROUTLESS

SAFETY GIBB (1 PER PANEL DOOR)
 GIBBS (2 PER PANEL DOOR)
 DRILLING DATA: _____

FLOOR NO.	FIN.F.-FIN.F.	STRUT	STRUT EXT.	WALL CONSTRUCTION:	THICK.

DOOR WEIGHT: _____
 BRaille PLATE: RECD NOT RECD

FASCIA DETAIL:

 FAS. HEIGHT SEE SHAFT

TOE GUARD

6 1/2"

DUST COVER

2"

12"

FRONT

REAR

FRONT

REAR

FRONT

REAR



3100A N.W. 99th STREET, DORAL, FL 33178
 (781)-546-5800 • TOLL FREE 800-469-5800 • FAX (781)946-8631

CUSTOMER: _____
 JOB NAME: _____
 LOCATION: _____
 SCALE: NONE

JOB NO. _____ P. ORDER NO. _____ SHEET NO. _____