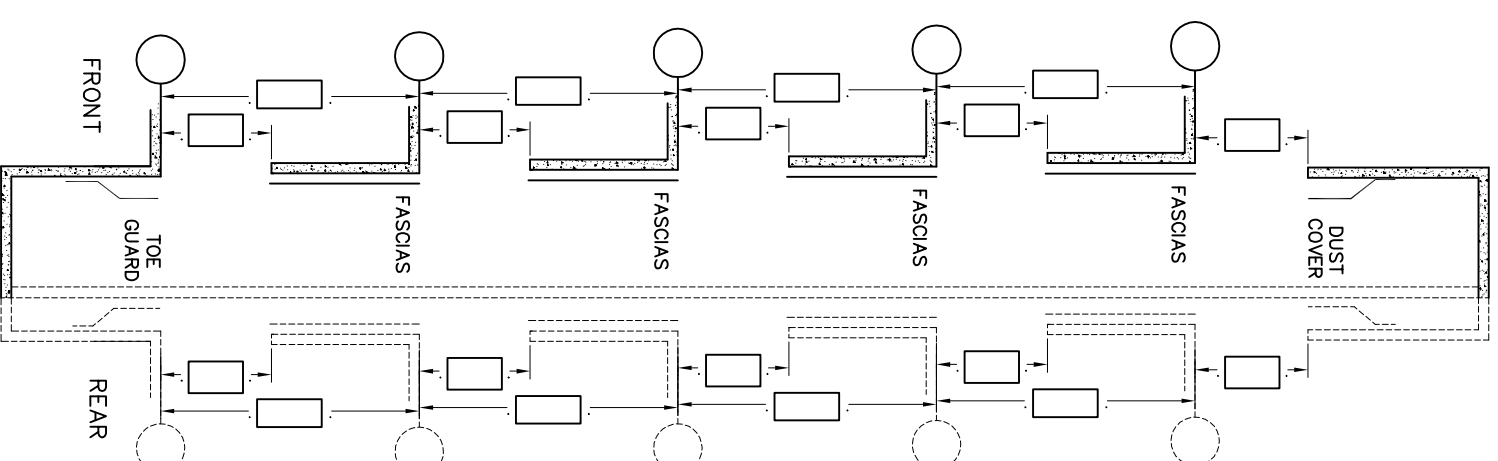
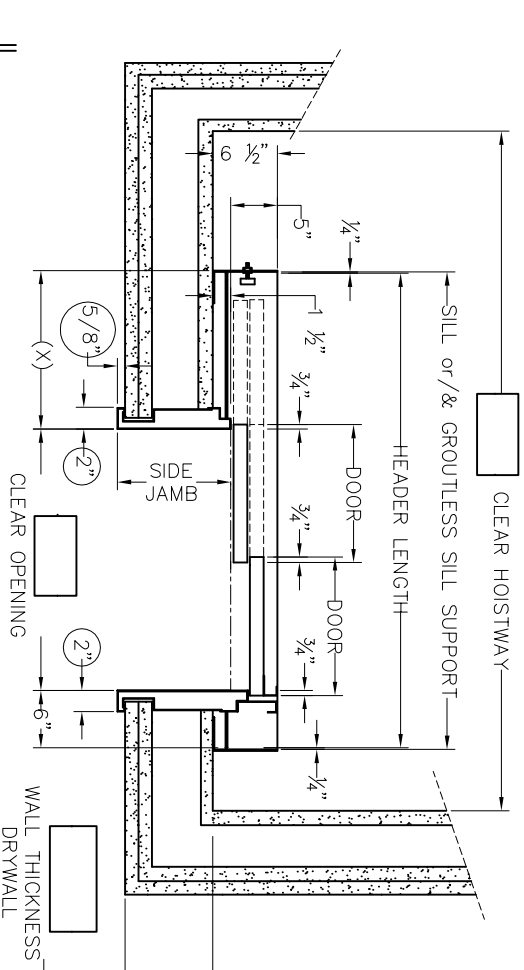
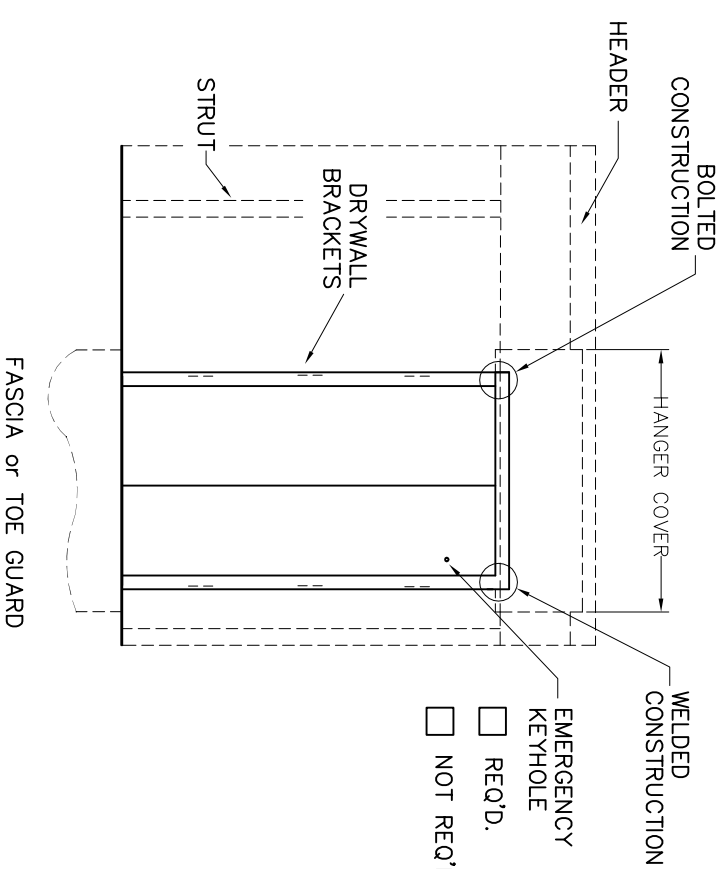
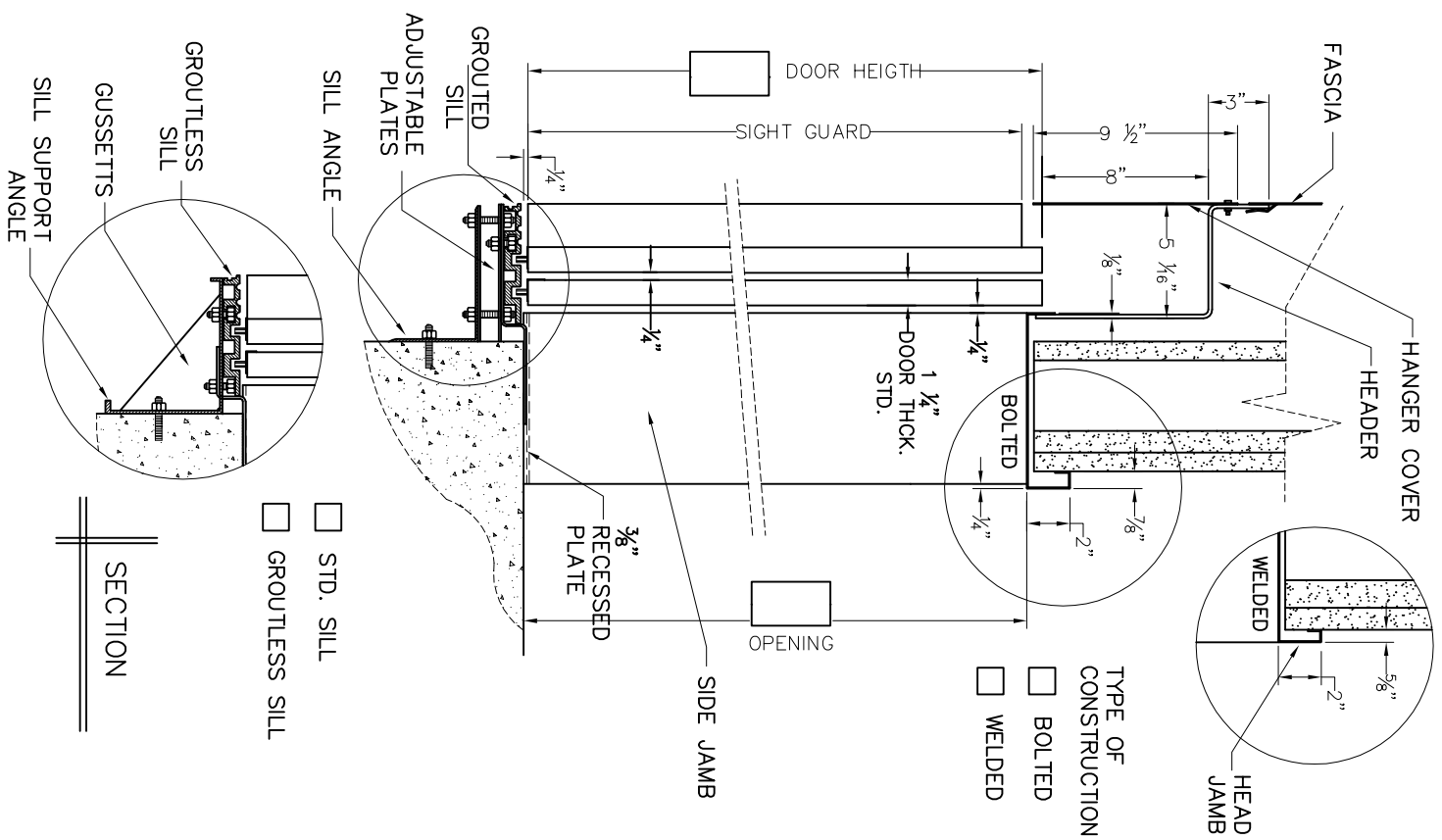


SURVEY SHEET. TWO SPEED DRYWALL ENTRANCE



- FRONT
- REAR
- SIDE
- 1 SHAFT
- 2 SHAFTS
- 3 SHAFTS
- OTHER

SETS OF ENTRANCE. R.H 2 SPD AS SHOWN
SETS OF ENTRANCE. L.H 2 SPD OPPOSITE

NOTES:

DISCLAIMER: THESE DRAWINGS ARE INTELLECTUAL PROPERTY OF CONCEPT ELEVATOR GROUP AND MAY NOT BE REPRODUCED IN ANY WAY WITHOUT WRITTEN AUTHORIZATION. THESE DRAWINGS ARE FOR REFERENCE ONLY AND WILL NOT BE USED FOR CONSTRUCTION

REV	PRINTS	SEPIAS	TO	DATE	FOR

OPENING: _____ x _____ TYPE: L.H R.H
SETS QTY: _____

TWO SPEED DRY WALL ENTRANCE

FRAMES:
MATERIAL CONSTRUCTION: BOLTED WELDED
 "UL" LABEL (1 PER FRAME)
 "UL" LABEL (1 PER JAMB / ONLY CA.)

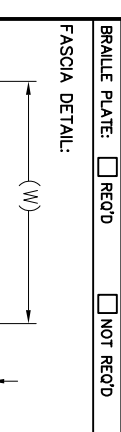
FINISH: _____
HANGER COVER: _____
HEADER LENGTH: _____ THICK x _____ WIDE x _____ HEIGHT
DOOR PANELS: _____ THICK x _____ WIDE x _____ HEIGHT

FINISH: _____
SIGHT GUARD: _____
SIGHT GUARD: _____

SILL: STD. MATERIAL: _____
 GROUTLESS
SAFETY GIBB (1 PER PANEL DOOR)
GIBBS (2 PER PANEL DOOR)

FLOOR NO. _____
FIN.F.-FIN.F. _____
STRUT _____
STRUT EXT. _____
WALL CONSTRUCTION: _____ THICK _____
DOOR WEIGHT: _____

BRILLE PLATE: RECD NOT RECD
FASCIA DETAIL: _____



3100A N.W. 99th STREET, DORAL, FL 33178
(708) 546-5800 • TOLL FREE 800-460-5800 • FAX (708)946-8631
CUSTOMER: _____
JOB NAME: _____
LOCATION: _____
SCALE: NONE
JOB NO. _____ P.ORDER NO. _____ SHEET NO. _____