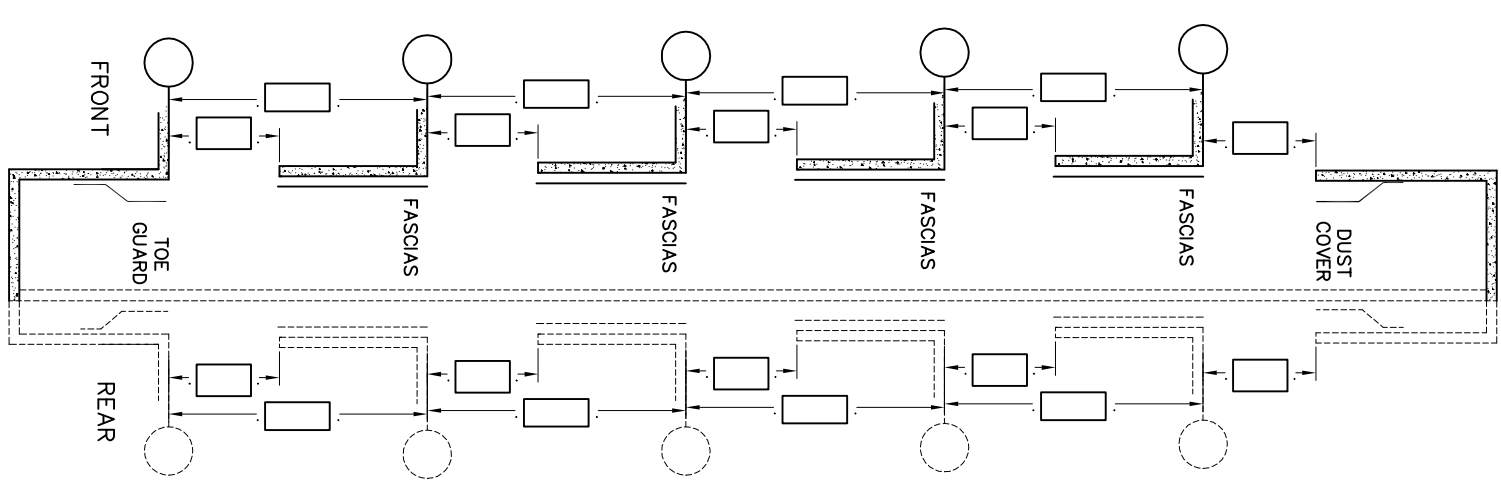
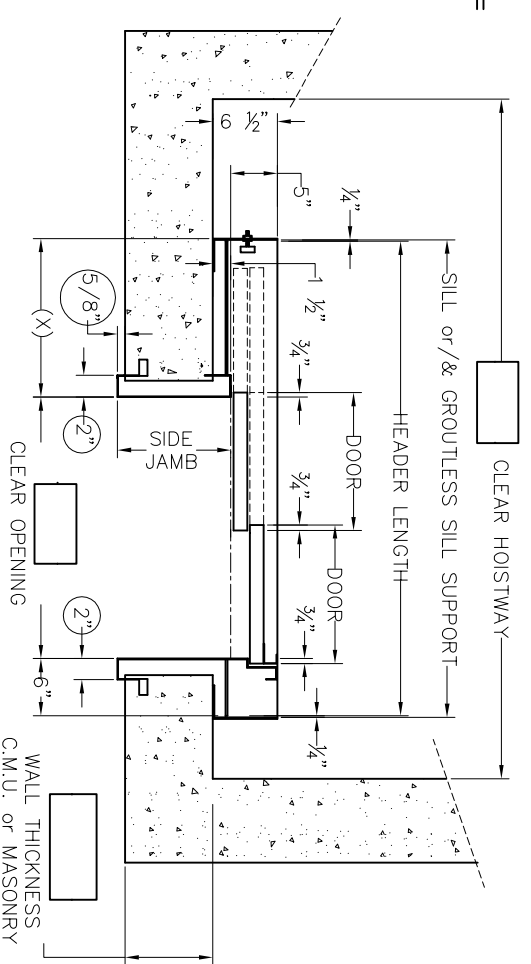
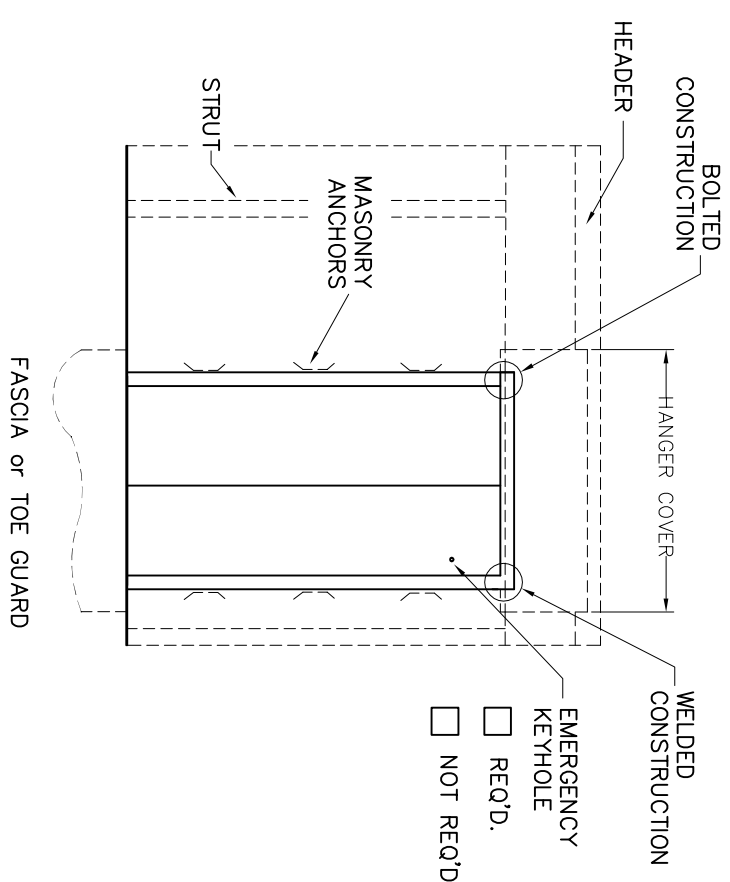
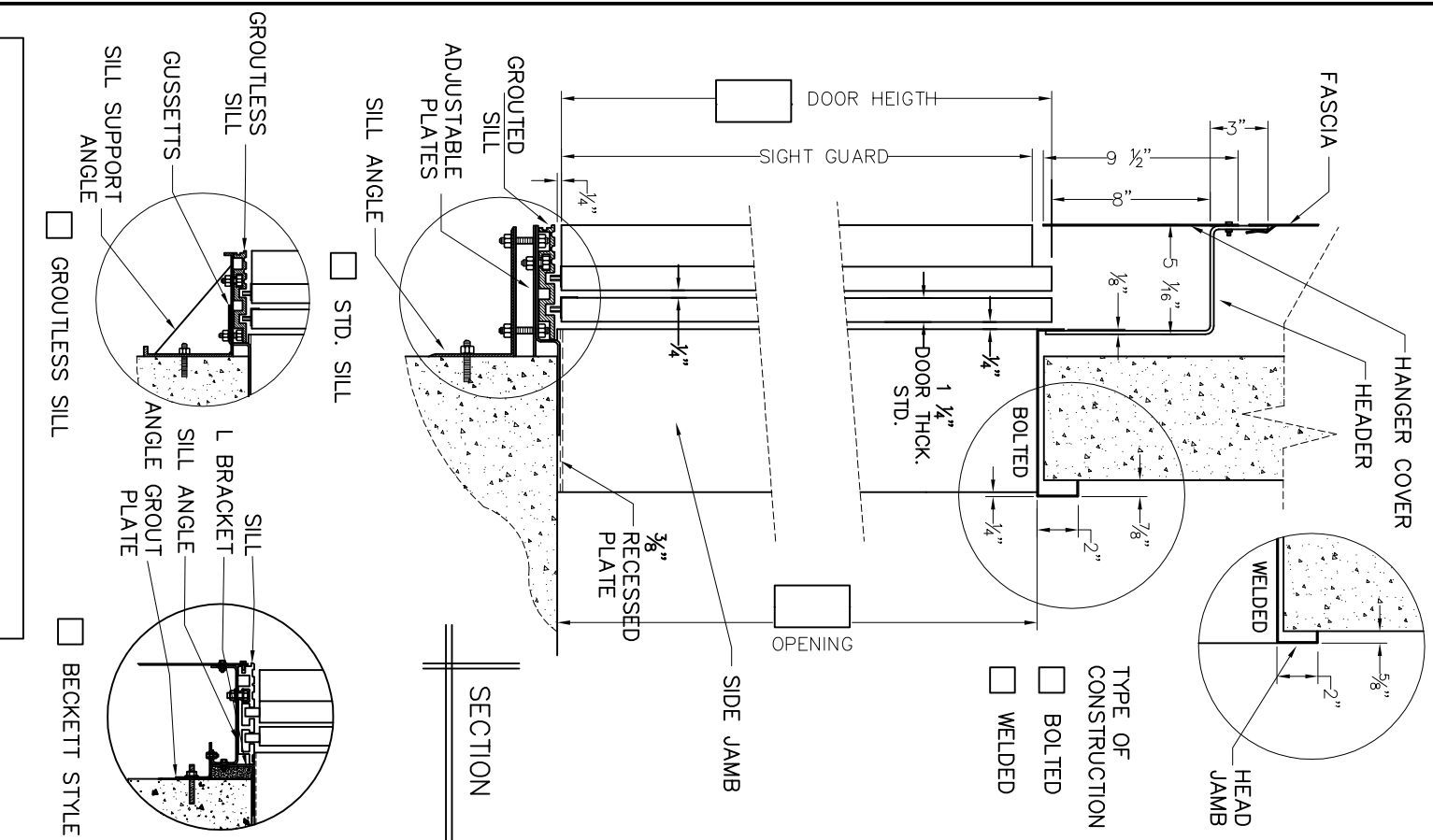


# SURVEY SHEET. TWO SPEED MASONRY ENTRANCE



REV	PRINTS	SEPARS	TO	DATE	FOR

REVISION AND PRINT RECORD

OPENING: \_\_\_\_\_ x \_\_\_\_\_ TYPE:  L.H.  R.H.

SETS QTY: \_\_\_\_\_

**TWO SPEED MASONRY ENTRANCE**

FRAMES: MATERIAL CONSTRUCTION:  BOLTED  WELDED

FINISH:  2" SIDE JAMB  2" HEAD JAMB

HANGER COVER: \_\_\_\_\_

HEADER LENGTH: \_\_\_\_\_

DOOR PANELS: \_\_\_\_\_ THICK x \_\_\_\_\_ WIDE x \_\_\_\_\_ HEIGHT

FINISH: \_\_\_\_\_

"UL" LABEL (1 PER PANEL DOOR)

WITHOUT "UL" LABEL

SIGHT GUARD: \_\_\_\_\_

FINISH: \_\_\_\_\_

SILL:  STD.  GROUTLESS MATERIAL: \_\_\_\_\_

SAFETY GIBB (1 PER PANEL DOOR)

GIBBS (2 PER PANEL DOOR)

DRILLING DATA: \_\_\_\_\_

FLOOR NO.	FIN.F.-FIN.F.	STRUT	STRUT EXT.	WALL CONSTRUCTION:	THICK.

DOOR WEIGHT: \_\_\_\_\_

BRILLE PLATE:  RECD  NOT RECD

FASCIA DETAIL:

FAS. HEIGHT SEE SHAFT

DUST COVER: \_\_\_\_\_

TOE GUARD: \_\_\_\_\_

- PLAN VIEW
- SETS OF ENTRANCE. R.H 2 SPD AS SHOWN
- SETS OF ENTRANCE. L.H 2 SPD OPPOSITE
- FRONT  1 SHAFT
- REAR  2 SHAFTS
- SIDE  3 SHAFTS
- OTHER

NOTES:

\_\_\_\_\_

\_\_\_\_\_

\_\_\_\_\_

\_\_\_\_\_

DISCLAIMER: THESE DRAWINGS ARE INTELLECTUAL PROPERTY OF CONCEPT ELEVATOR GROUP AND MAY NOT BE REPRODUCED IN ANY WAY WITHOUT WRITTEN AUTHORIZATION. THESE DRAWINGS ARE FOR REFERENCE ONLY AND WILL NOT BE USED FOR CONSTRUCTION



3100A N.W. 90th STREET, DORAL, FL 33178  
 (781) 546-5800 • TOLL FREE 800-469-8800 • FAX (781) 946-8831

CUSTOMER: \_\_\_\_\_

JOB NAME: \_\_\_\_\_

LOCATION: \_\_\_\_\_

SCALE: NONE

JOB NO. \_\_\_\_\_ P. ORDER NO. \_\_\_\_\_ SHEET NO. \_\_\_\_\_