

REVISION AND PRINT RECORD			
REV	PRINTS	SERIALS	TO DATE FOR

OPENING:
QTY:

DOOR PANELS: _____ x _____ x _____
 "UL" LABEL (1 per PANEL DOOR)
 FINISH: _____

DRILLING:
 SIGHT GUARD FINISH: _____

GIBBS REQUIRED: (2 PER DOOR).
 HOST WAY DOORS SAFETY RETAINER: (1 PER DOOR)

ASME A 17.1 a - 2002 CODE COMPLIANT.

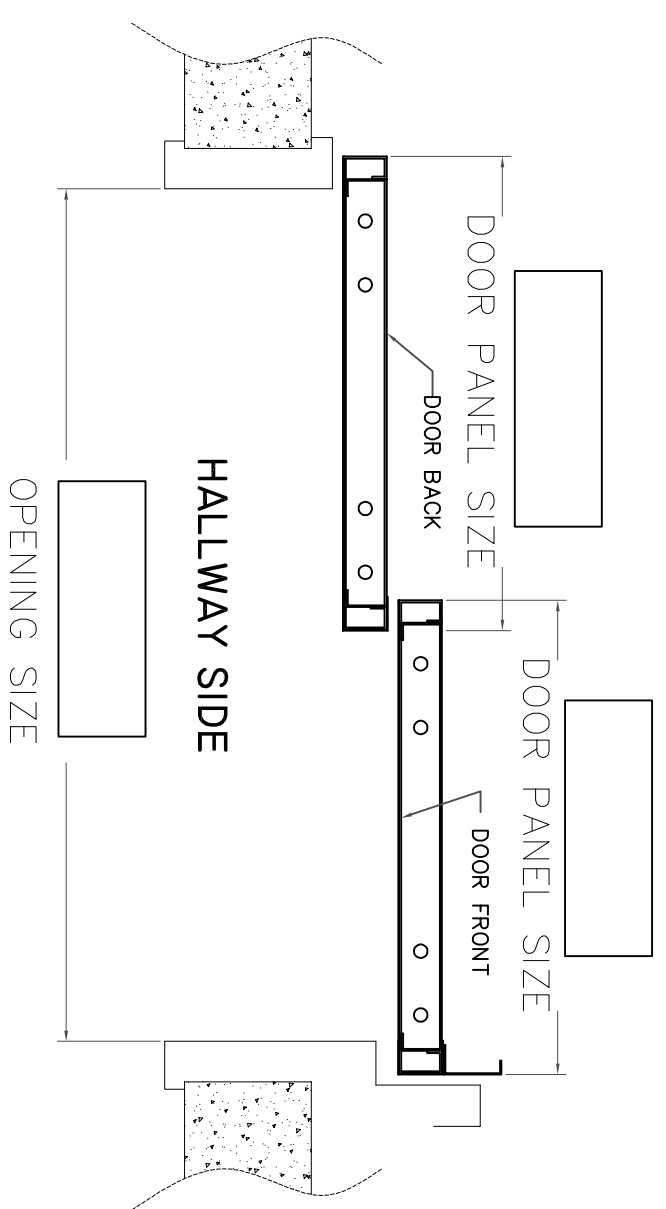
TOLERANCES
UNLESS OTHERWISE SPECIFIED

1" (1.00)	25.4 MM OR LESS ±1/32 (0.31)	.793 MM
OVER 1" (1.00)	25.4 MM LESS THAN 12" (12.00)	304.80 MM ±1/16" (1.625) 1.59 MM
OVER 12" (12.00)	304.80 MM LESS THAN 60" (60.00)	1524 MM ±1/8" (1.25) 3.18 MM
OVER 60" (60.00)	1524 MM TO 120" (120.00)	3048 MM ±1/4" (2.50) 6.35 MM

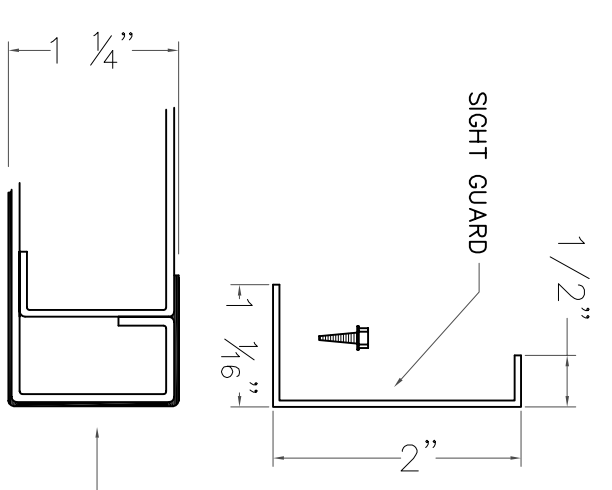
CONCEPT ELEVATOR.
GROUP. LLC.

9100A N.W. 98th STREET • DORAL, FL 33178
 (786)-946-8885 • TOLL FREE 866-506-8885 • Fax (786)946-8831

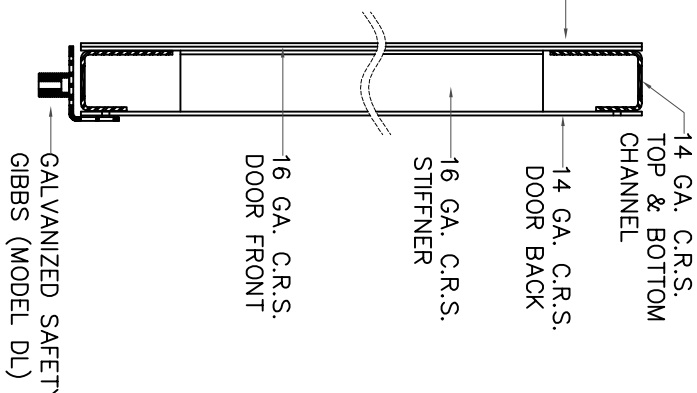
CUSTOMER:
 JOB NAME:
 LOCATION:
 ARCHITECT:
 DRAWN BY:
 JOB NO. P. ORDER NO. SHEET NO.



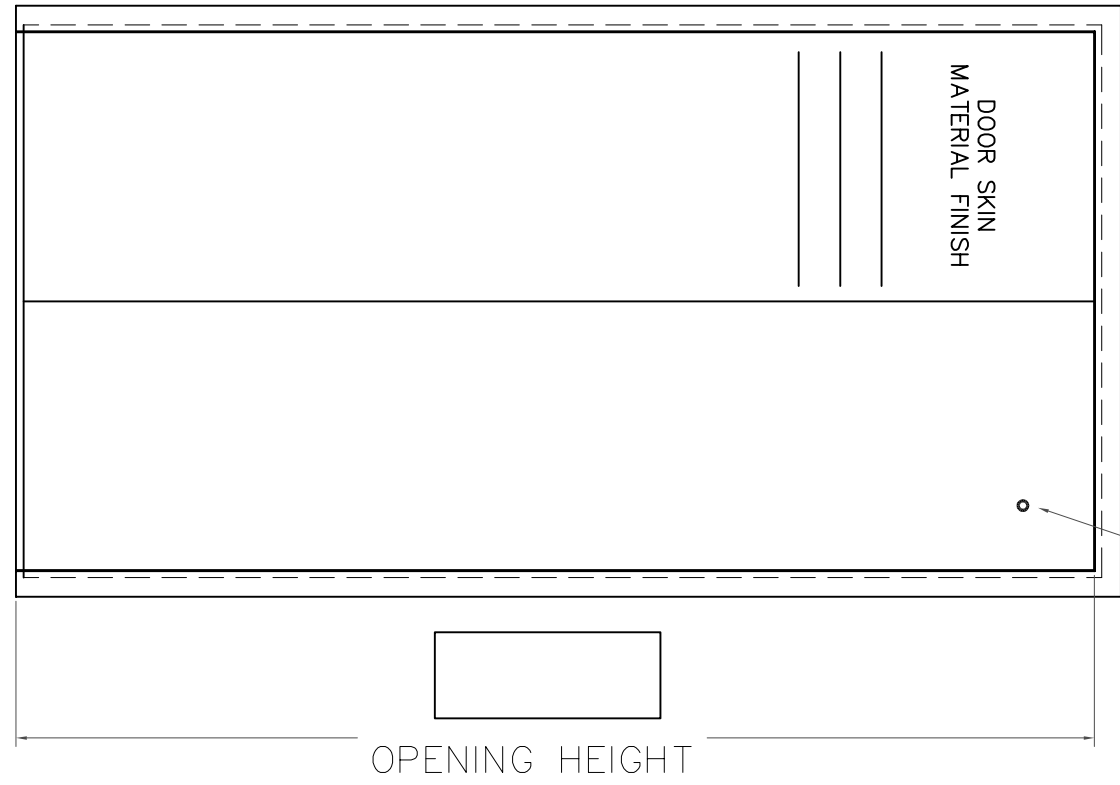
- RIGHT HAND AS SHOWN.
- LEFT HAND OPPOSITE.



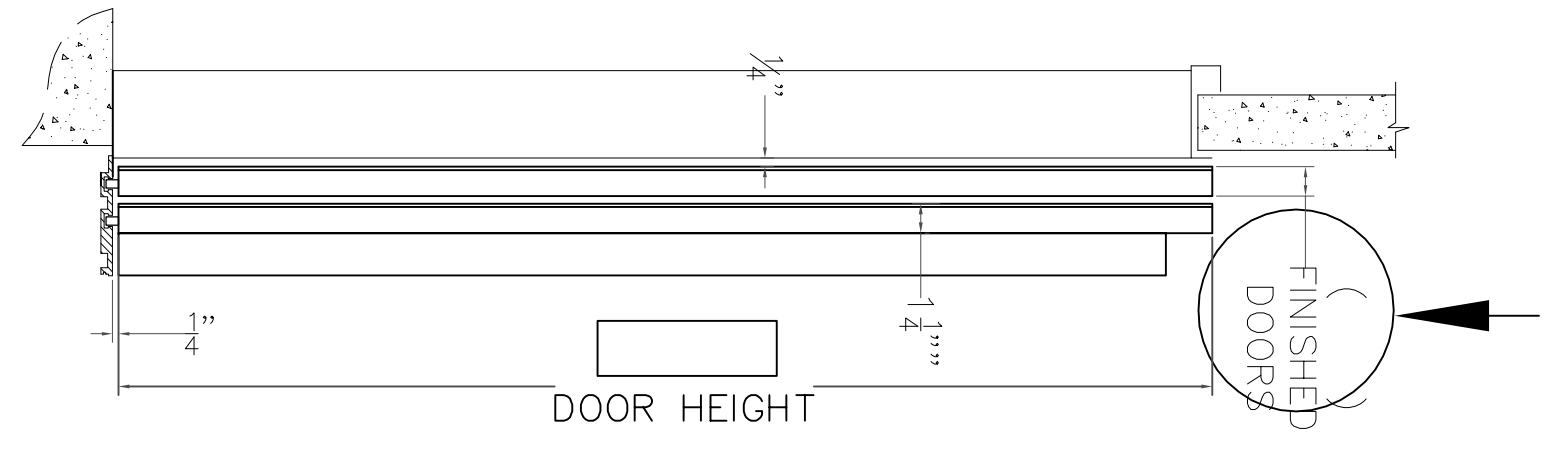
SECTION THROUGH DOOR



- REQ'D.
- NOT REQ'D.



(HALL SIDE)
TWO SPEED HATCH DOORS



DISCLAIMER: THESE DRAWINGS ARE INTELLECTUAL PROPERTY OF CONCEPT ELEVATOR GROUP AND MAY NOT BE REPRODUCED IN ANY WAY WITHOUT WRITTEN AUTHORIZATION. THESE DRAWINGS ARE FOR REFERENCE ONLY AND WILL NOT BE USED FOR CONSTRUCTION